

STRASSER·TAC 1

Benutzerhandbuch

Operating Instructions



 **STRASSER**

PASSIONATE INNOVATION

ATTENTION:

It is essential that you carefully read this manual prior to using the gun. Only hand this gun over along with these operating instructions. Your authorised dealer can answer any questions you may have that are not covered in this manual as well as show you how to properly use the STRASSER TAC 1.

ACHTUNG:

Lesen Sie vor Gebrauch der Waffe unbedingt diese Bedienungsanleitung genau durch. Geben Sie die Waffe nur zusammen mit dieser Bedienungsanleitung weiter. Lassen Sie sich ergänzend zu dieser Bedienungsanleitung Ihre STRASSER TAC 1 von Ihrem Fachhändler genau erklären und sich in ihren Gebrauch einweisen.

Term		Figure	Chapter	Page
Trigger Group		23 - 28	8	23 - 24
General Safety Rules			2	18
Support		38	16	25
Jowl		31 - 32	11	24
Pin		9	5	22
Skid		29	9	24
Mirage Band	Option	47 - 49	21	27
Mirage Band Holder	Option	36 / 48	14	25
Heat Shield		37	15	25
Terms of Guarantee			27	29 -30
Main Parts		3 - 5		6
Loading and Unloading			23	28
Barrel and Barrel Change		11 - 17	4	21
Delivery Condition		1		5
Magazine		35	13	25
Muzzle Brake	Option	46	20	26
Picatinny Rail		39 - 40	17	25
Product Definition			1	17
Cleaning and Care			25	29
Spare Magazine	Option	45	19	26
Spare Magazine Holder	Option	43 - 45	18	26
Sling Swivel			22	27
Stock Cap		33 - 34	12	24
Shooting			24	28
Safeties		19 - 22	7	23
Handle		30	10	24
Transport			26	29
Bolt Removal		41	(3)	20
Changing the Bolt Head		18	6	22
Assembling and Disassembling		6 - 17	3	19-20

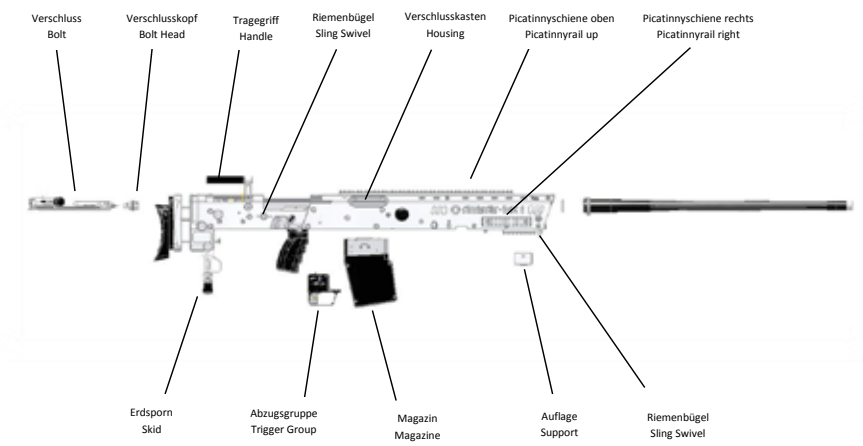
Bezeichnung		Abbildung	Kapitel	Seite
Abzugsgruppe		23 - 28	8	37 - 38
Allgemeine Sicherheitsregeln			2	32
Auflage		38	16	39 - 40
Backe		31 - 32	11	38
Dorn		9	5	36
Erdsporn		29	9	38
Flimmerband	Option	47 - 49	21	41
Flimmerbandhalter	Option	36 / 48	14	39
Flimmerschutz		37	15	39
Garantiebedingungen			27	43 - 44
Hauptteile		3 - 5		6
Laden - Entladen			23	42
Lauf und Laufwechsel		11 - 17	4	35
Lieferzustand		1		5
Magazin		35	13	39
Mündungsbremse	Option	46	20	40
Picatinnyschiene		39 - 40	17	39
Produkt- Definition			1	31
Reinigung und Pflege			25	43
Reservemagazin	Option	45	19	40
Reservemagazinhalter	Option	43 - 45	18	40
Riemenbügel			22	41
Schaftkappe		33 - 34	12	38
Schießen			24	42
Sicherungen		19 - 22	7	37
Tragegriff		30	10	38
Transport			26	43
Verschluss entnehmen		41	(3)	34
Verschlusskopf wechseln		18	6	36
Zusammenbauen und Zerlegen		6 - 17	3	33 - 34

1

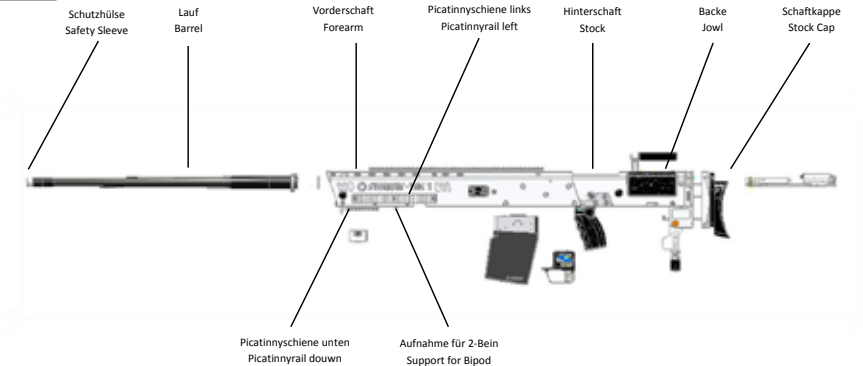


Lieferzustand mit Picatinny-Schiene
Delivery Condition with Picatinny Rail

3



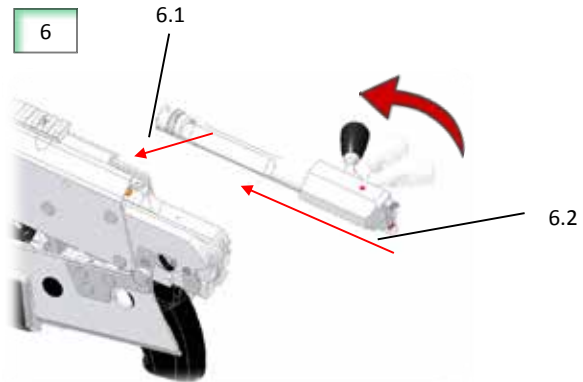
4



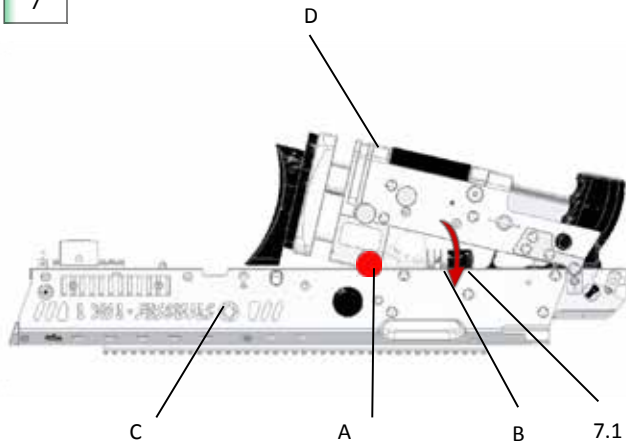
5



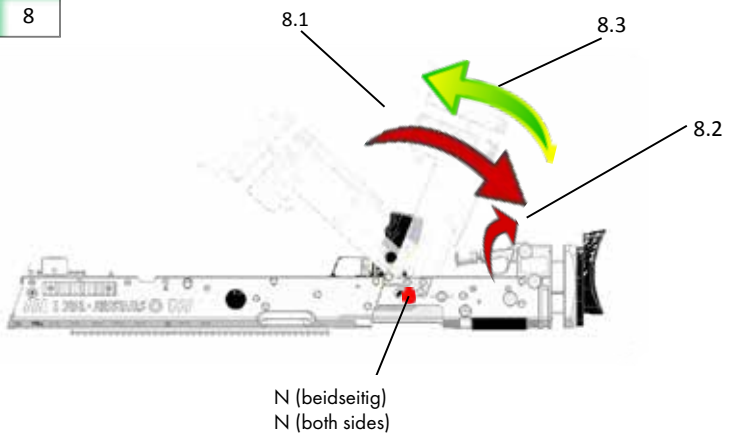
6

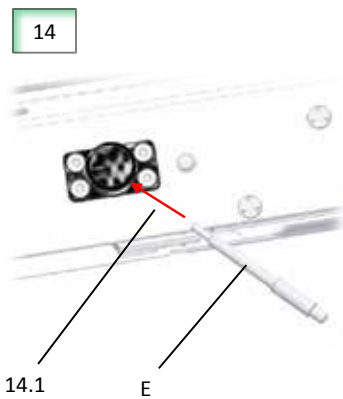
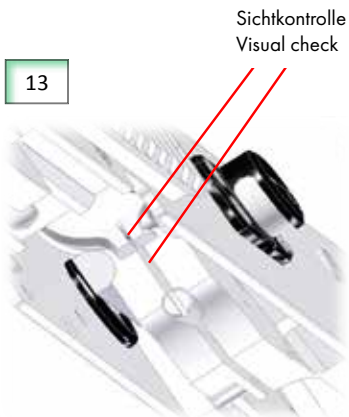
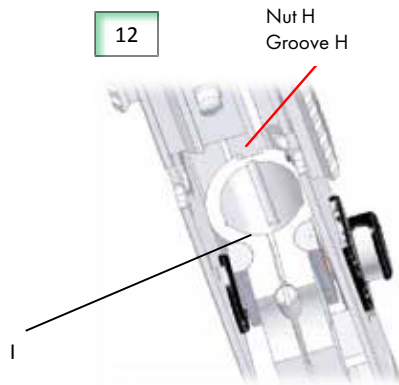
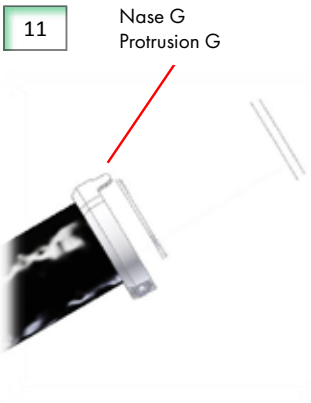
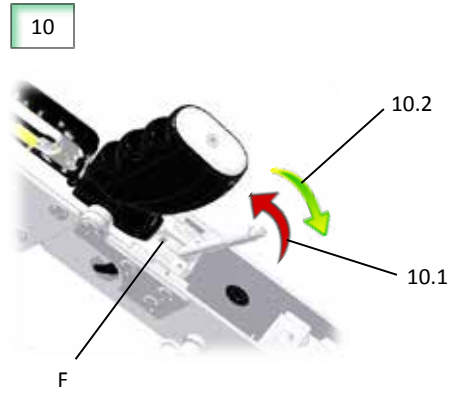
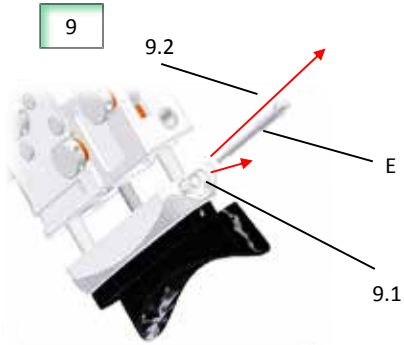


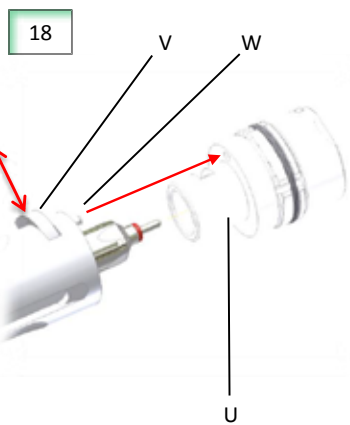
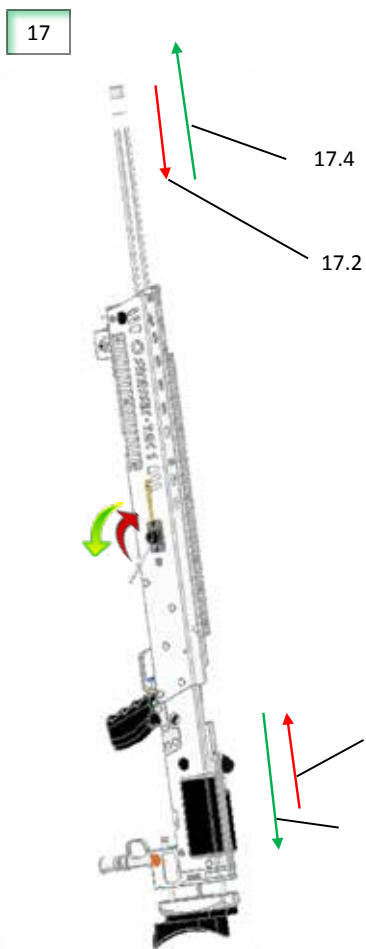
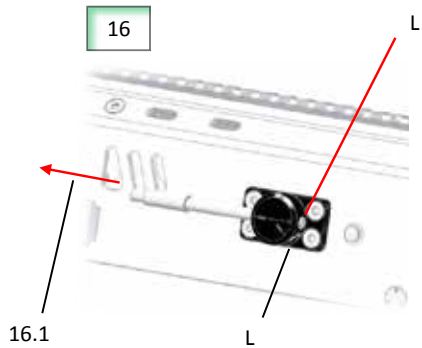
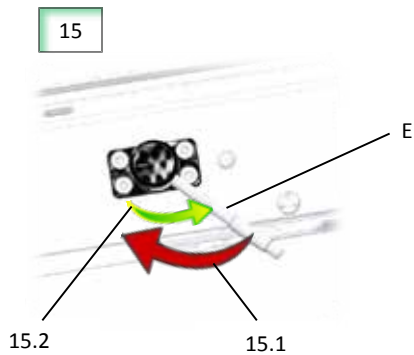
7



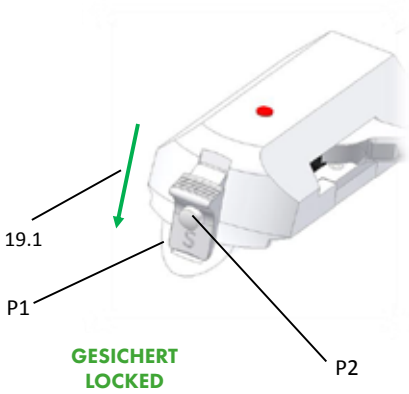
8



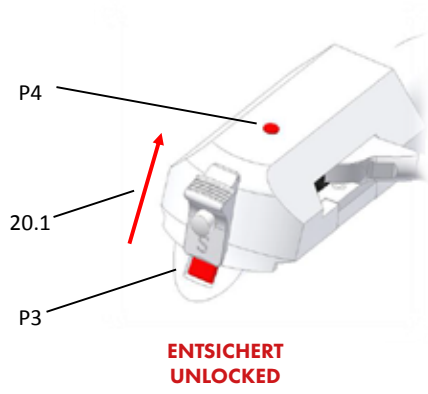




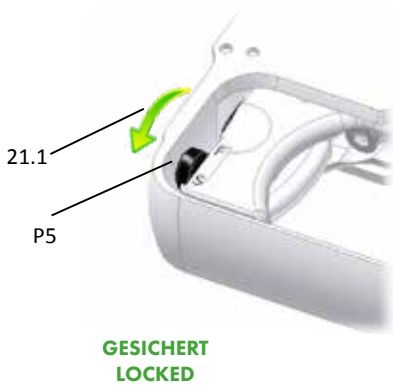
19



20

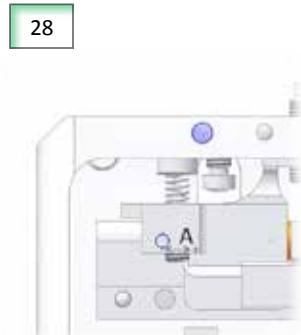
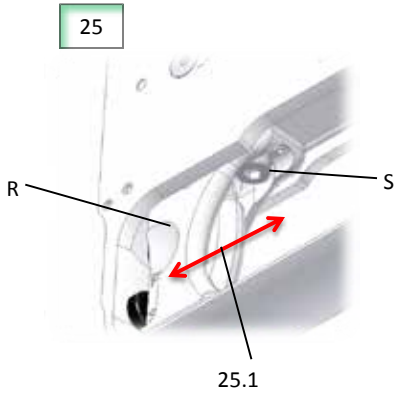
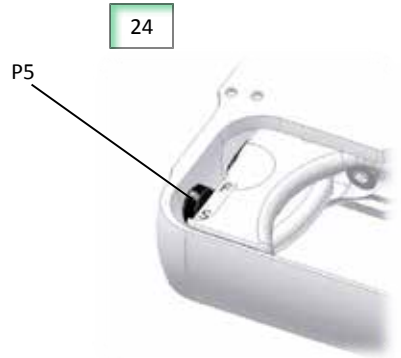
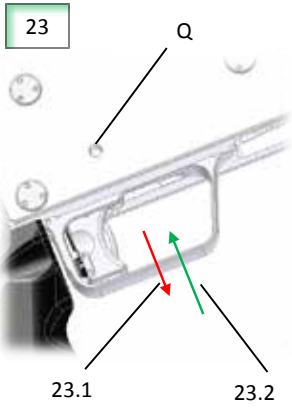


21

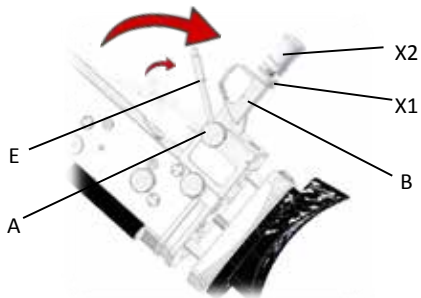


22

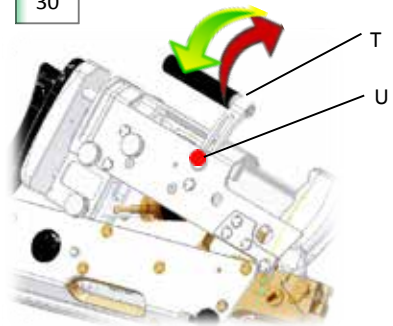




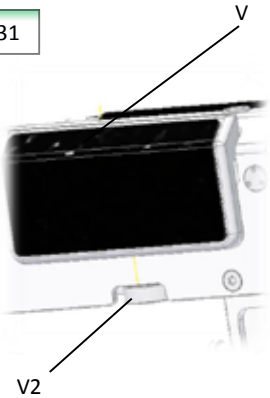
29



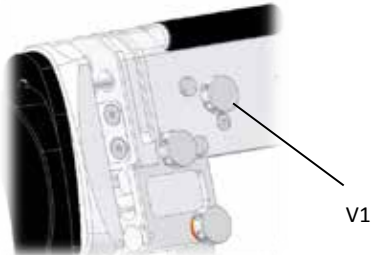
30



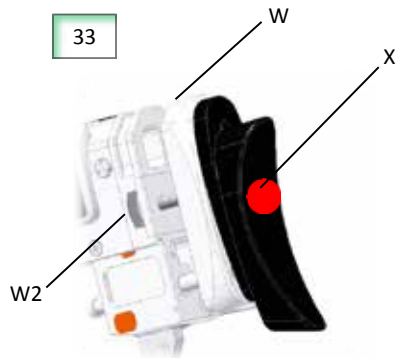
31



32

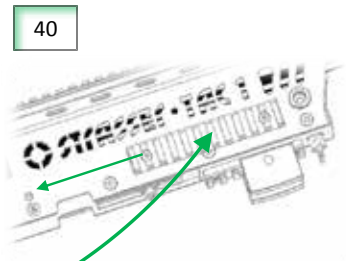
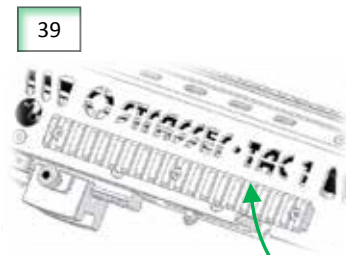
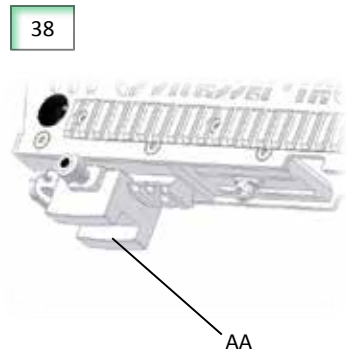
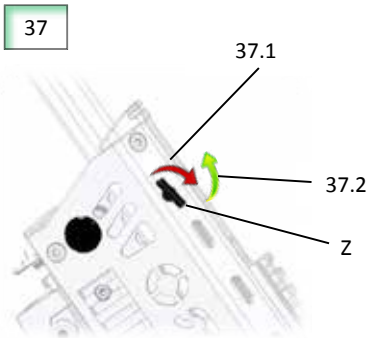
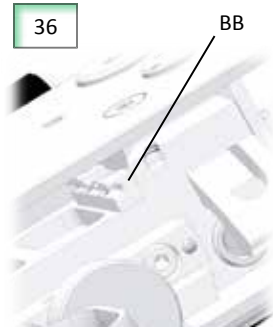
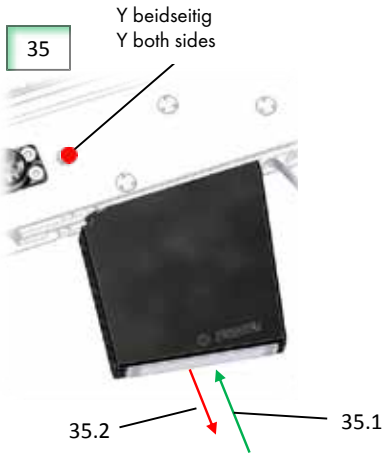


33

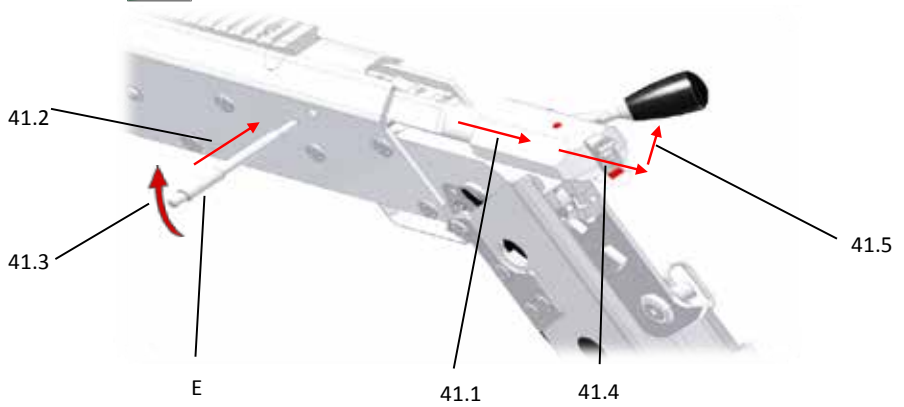


34

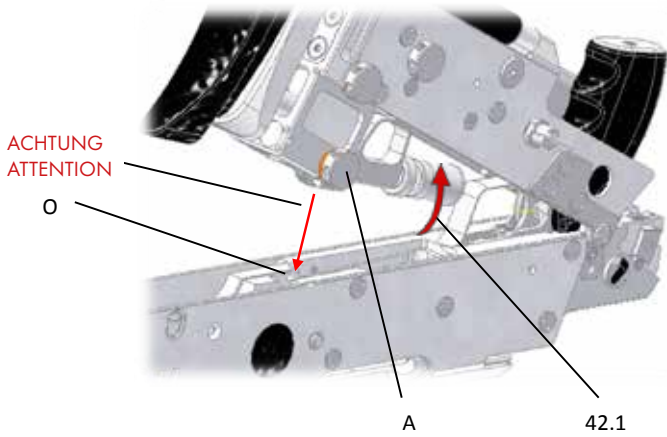




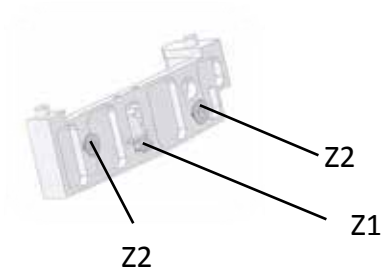
41



42



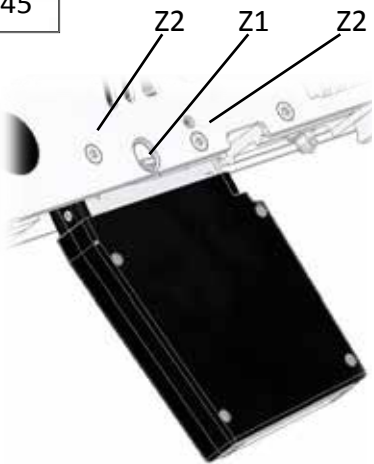
43



44



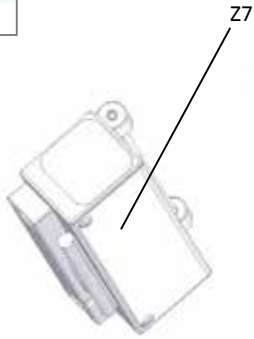
45



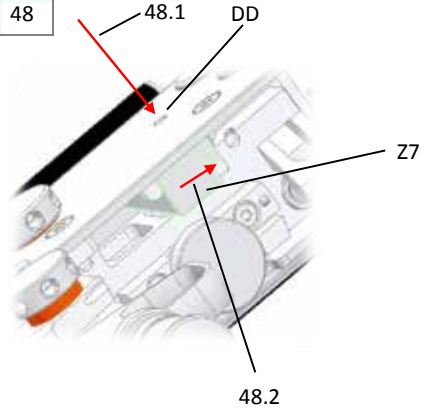
46



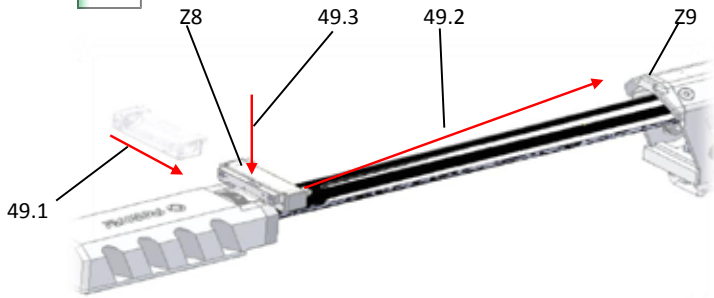
47



48



49



1. Product-Definition

The STRASSER TAC 1 is a straight-pull bolt action rifle which was specially developed for sport shooting.

This straight-pull bolt action rifle was primarily designed for sports long range shooters and is thus a precision rifle used e.g. for "long-range shootings". It can be used for both sports trophies and hunting purposes. Sports target shooting should be the priority purpose of this product, however.

We congratulate you on your purchase of this product and wish you lots of fun on the shooting range and great successes with this weapon.

HMS Präzisionstechnik GmbH

2. General Safety Rules for Handling Weapons

Your straight-pull bolt action rifle STRASSER TAC 1 is a high-precision sports weapon and has a high safety potential that must not mislead you by any means into neglecting the necessary care and legal regulations governing the handling of weapons.

Attention: By all means, carefully read this gun manual before using the gun. Only pass the gun on together with these instructions.

In addition to this manual, please ask your specialised dealer for an in-depth explanation of your gun and an instruction on its proper use.

- Weapons may only be operated by people with the appropriate authorization and training.
- Ensure that the firearm and ammunition never get into the hands of unauthorized persons.
- Always keep gun and ammunition separate from each other and locked up – inaccessible to unauthorized persons.
- Observe the valid legal regulations for carrying and storing weapons and ammunition.
- Thoroughly familiarize yourself with the handling of your weapon and practice all functions and hand movements with an unloaded weapon before using it.
- Consider every weapon as loaded and ready for firing until you have verified the opposite by opening the bolt and checking the cartridge chamber (barrel). Even an unloaded weapon must be handled like a loaded gun.
- Always keep the muzzle pointed in a direction in which you will neither endanger persons nor cause damage to property.
- Before loading the weapon, check if there are oil residues or other foreign matters in the cartridge chamber or barrel.
- Oil residues in the cartridge chamber or barrel may cause distinct impact point displacements! Foreign matters in the barrel (for example, water, snow, soil) can lead to barrel explosions. These may cause serious injuries to the shooter or bystanders! Make sure that no foreign objects can enter the barrel during the use of the weapon!
- Only use ammunition which meets the requirements of the CIP, in particular with regard to the maximum gas pressures (Pmax).
- Each STRASSER TAC 1 is tested by the state proof house pursuant to the requirements of the firing law and firing regulation with a firing gas pressure exceeding the admissible maximum usage gas pressure Pmax by at least 30%. Should gas pressures of the ammunition being used exceed this gas pressure, the safety of the user or third parties may not be guaranteed under these circumstances.
- Load your firearm only immediately before use.
- Unlock your firearm only immediately before shooting. Point the barrel in a safe direction during the unlocking.
- Check the front and rear grounds before each shot.
- Aim your weapon only at a target that you have clearly identified.
- Only place your finger on the trigger when you want to shoot.
- Only fire a shot when there is a secure backstop.
- When a cartridge fails, open the lock no sooner than after 60 seconds. This is how you reduce the risk from an afterburner.
- Wear hearing protection during shooting.
- **Warning:** Risk of burns: Pay attention to your hands! Barrel becomes very hot with more rapid shooting!

Unload your firearm ...

... before entering a city

... before entering a building,

... before getting into a vehicle,

... before crossing obstacles,

... before getting in and out of hunting hides,

... when putting down or handing over the weapon temporarily.

3. Assembling and Disassembling

Fig. 6-17

Assembling:

When you get your STRASSETAC 1 in a partially disassembled state (Fig.1 and 2), you need to assemble it as follows.

- The bolt handle must always be locked in the rear position when mounting the bolt. If the bolt handle is in the front position, the bolt cannot be installed. (pivot the bolt handle until it snaps into place, if necessary).
- Insert the bolt into the half-shell of the bolt sleeve obliquely from above (6.1) and apply a slight downward pressure. Close bolt halfway and check through lateral twisting whether the bolt stop has locked in place in the guide groove of the bolt.

Subsequently close the bolt by moving it all the way forward to the stop (6.2).

- Loosen stock (D) and flip it open (Fig. 7 and 8) Now loosen the knurled screw (A) by turning it counterclockwise. Now you can push the skid (B) with the finger in the direction of the magazine shaft (7.1). The locked connection with the forearm (C) is now released. (Fig.8)

Note: Make sure that the knurled screw (F) is completely opened. Rotate with finger all the way to „OPEN“.

Now flip the stock (D) open by moving it over the pistol grip until it locks into position with an audible „click“. (8.1)

Attention: Risk of injury! Make sure you don't get your fingers or hand caught!

- Now take out the universal tool for your STRASSETAC 1, the pin (E). Using your finger, pull the knob to the side to do so (9.1). The pin (E) is now released (9.2).
- Now use the pin (E) to lock the clamping towards „CLOSE“ between forearm and stock (10.1) with the knurled screw (F).
- Fold the skid (B) up (8.2) and rotate the knurled nut (A) in a clockwise direction in order to screw the skid tight. Now use the pin (E) to lock the skid. (Fig. 8)
- Now mount the barrel.
Your included barrel has a barrel band with a kind of guide nose (G). This „nose“ fits exactly into the existing groove (H) in the bolt sleeve. (Fig. 11 and 12)

- Set your STRASSETAC 1 upright and first open the bolt, pull it to the rear (downwards).
- **Make sure you don't get your hand or fingers caught!**
- Now insert the barrel in the housing from above.
- **Make sure the barrel band with the guide nose is correctly positioned.** (Fig. 11 and 12).
- **Attention:** Barrel clamping must be set to „open“, otherwise you cannot insert the barrel!
- Place the barrel all the way in the housing, to the stop.
- **Through a visual check, make sure the barrel rests on the housing and that the clamping groove of the barrel band matches the clamping notch of the housing** (Fig. 13).
- Now close the bolt in such a way (17.3) that the bolt, the barrel and the housing form a unit.
- Now use the pin (E) to activate the barrel clamping (K). Insert the pin (E) in the laterally arranged barrel clamping device (BEST™) (Fig. 14) and now move the pin in the direction of „close“ (Fig. 15) (15.1). Make sure that the securing lever (L) is sticking out (Fig. 16) and that an unintended release the barrel clamping is thus not possible!

To release the barrel clamping again and release the barrel, you must push this securing lever (L) in and then release the barrel clamping with the pin (E) by turning the pin (E) towards „open“.

Make sure that this securing lever remains pressed down until it disappears in the barrel clamping (K). Otherwise you cannot perform the opening movement!

- **Attention:** During assembly always make sure that the barrel, the bolt (bolt head) and the magazine correspond to the caliber!
- You can now mount a bipod or continue with the supplied support with rubber inserts. (See Fig.11)

Disassembling:

- Lock the weapon and open bolt. It is recommended to use both safeties – i.e. secure both. (Fig. 19a und 21).
- Remove magazine (Chapt. 13)
- Open the bolt by pulling it backwards (Fig 41).
- Now verify that there is in fact no cartridge in the barrel anymore!

- To release the barrel clamping again and release the barrel, you must push this securing lever (L) in and then release the barrel clamping with the pin (E) by turning the pin towards „open“ (10.2).
- **Make sure that this securing lever (L) remains pressed down, otherwise you cannot perform the opening movement!**
- Now you can take out the barrel.
- Set your STRASSER TAC 1 upright for this and carefully pull the barrel upwards out of the housing. (17.4)
- **Attention: Verify again that both safeties are really active and have been secured! This is purely for your own personal safety! Also, do not hold the muzzle towards other people or towards your head! Perform these steps calmly, deliberately and with caution; they are purely for the safety of you and third parties!**
- Now loosen the locking nut (F) by using the pin (E) to turn the locking nut (F) towards „open“.
- Now loosen the skid (B) by using the pin (E) to loosen the knurling nut and unscrew it (anti-clockwise).
- Fold down the skid (B).
- Now close the bolt.
- **Important: Otherwise you cannot fold up the stock!**
- Now press both levers in with your thumb and your index finger in order to be able to fold up the stock. (Fig. 8)
- Now fold up the stock. Swing the stock over the gun grip (Fig. 8).
- Now you can connect the skid with the forearm (C) again. Make sure that the „hook“ of the skid hooks into the silver-coloured pin (O). Then lift the skid (B) slightly, now it engages with the silver-coloured pin (O). Hold the skid in this position and fix it again with the knurled nut (A). Turn the knurled nut in a clockwise direction for this. (by hand, without the aid of the pin (E), is sufficient!)
- You can now dismount your bipod again. (optional)
- You can now extend the handle (M) (if you wish or if it is required).

Push in the push button (U) e.g. using your right thumb and pull the rubberized handle (T) up and out with your left hand until it audibly locks into place. Release the push button (U) again and make sure that the handle

(T) has engaged!

In order to retract the handle (T) back into the stock, press in the push button (U) again and push the handle (T) in until it snaps back into place audibly.

Ensure that the handle is well stowed away and locked in place.

Bolt Removal

(Fig. 41)

Pull the bolt back to the stop (41.1).

Insert the pin (E) into the bore (CC) (41.2).

Tilt the pin (E) up (41.3), this releases the bolt stop.

Pull the stop all the way back (41.1) and take it out obliquely upwards – towards the back (41.5).

4. Barrel and Barrel Change

Fig. 15, 16, 17

We offer two caliber groups that are characterized as follows:

STA (standard caliber)

MAG (magnum caliber)

Standard caliber: 6.5x55SE, 6.5-284Norma, .308Win.

Standard caliber: .300Win.Mag.

When changing from one caliber group to another, the bolt head must be changed. Within a caliber group, the barrels can be changed without exchanging the bolt head.

Make sure that also the magazine for the corresponding caliber group is inserted when exchanging the barrel. The magazines have caliber designations indicating the calibers they are intended for.

Note: Always ensure that the barrel root and the barrel mounting in the cartridge case are clean.

- Set your STRASSERTAC 1 upright and first open the bolt, pull it to the rear (downwards). **Make sure you don't get your hand or fingers caught!**
- Now insert the barrel in the housing from above. **Make sure the barrel band with the guide nose is correctly positioned. (see Fig. 7c) Attention: Barrel clamping must be set to "OPEN", otherwise you cannot insert the barrel!**
- Place the barrel in the housing, to the stop. Now close the bolt in such a way that the bolt, the barrel and the housing form a unit.
- Now use the pin (E) to activate the barrel clamping. Insert the pin in the laterally arranged barrel clamping device (I) (BEST™) See Fig. 8a and now move the pin in the direction of „close“. Make sure that the securing lever (J) is sticking out (Fig. 16) after that and thus an unintended release the barrel clamping is not possible! See Fig. 8b
- To release the barrel clamping again and release the barrel, you must push this securing lever (J) in and then release the barrel clamping with the pin by turning the

pin towards „open“. **Make sure that this securing lever remains pressed down, otherwise you cannot perform the opening movement!**

Attention: During assembly, always make sure that the barrel, the bolt (bolt head) and the magazine correspond to the caliber!

5. Pin

Fig. 9

The **STRASSER-TAC 1** features a “universal tool”, the pin (E) (Fig.9)

This pin will be used, among other things, to activate the barrel clamping, to take out the heat tape from the stock (D) or the trigger group from the housing (and many more).

The pin (A) is used to operate

- the fixing screw for fixing the connection of the stock (D) with the main part (C)
- the clamping screw (V1) for fixing the adjustable jowl (V)
- the clamping screw (W1) for fixing the stock cap (W) that is adjustable in depth
- the clamping of the skid (B)
- the barrel clamping (K)

The pin (E) is used to

- release the trigger group
- release the bolt
- release the mirage band

The pin (E) is always “on board” in the area of the stock (D) and is (Fig. 9) released through laterally moving (9.1) the knob (9.2) and can afterwards be stowed there again.

6. Changing the bolt head

Fig. 18

The **STRASSER-TAC 1** straight-pull bolt action rifle has a very safe and extremely user-friendly bolt. When changing from one caliber group to another one, merely the bolt head (U) needs to be exchanged.

Removing the Bolt Head

- Unload the weapon.
- Remove bolt. (the stock (D) has to be slightly folded for this.
See the description for assembling and disassembling regarding this, Fig. 11)
- Open the swiveling flap (V) and take out the bolt head.

Mounting the Bolt Head

- Insert the bolt head for the corresponding caliber using the fixing pin/positioning pin (W) so that they match.
- Fold down the swiveling flap until it locks in place.

7. Safeties

Fig. 19-22

The STRASSERTAC 1 has two safeties.

A main safety (Fig. 19 and 20) which is located on the bolt and a secondary safety (Fig. 21 and 22) which is located directly on the trigger.

The main safety:

The STRASSERTAC 1 features an ergonomically constructed vertical safety slide (P1), which is blocked by a push button (P2) in the secured state. It acts directly on the firing pin nut and thereby on the hammer strut and assures the utmost safety.

The secondary safety:

The STRASSERTAC 1 features a user-friendly and ergonomically constructed trigger safety. This directly secures the trigger. (Fig. 21 and 22).

Attention: When unlocking and locking, never reach into the trigger!

Locking:

Safety slide on the bolt: (Fig. 19)

- Press the locking slide (P1) downwards (19.1) until the push button (P2) locks in place. The push button (P2) must spring back to its original position. The red surface (P3) underneath the locking slide (P1) is no longer visible now. **The weapon is now secured.**

The STRASSERTAC 1 can also be secured when the bolt is open, so that the weapon is already secured when the bolt is being closed. The safety trigger can also be activated and thus secured at all times and in every state.

Safety Trigger: (Fig.21)

- Move the small lever (P5) downwards (21.1) towards "S".

S stands for SAFE and the trigger is thus **secured**.

8. Trigger group, various settings

Fig. 23-28

The STRASSERTAC 1 straight-pull bolt action rifle features a specially designed trigger unit.

Attention! Before each operating of the trigger group, bring the safety lever (P) in position "S".

Removing the Trigger Group

- Lock must be open.
- Remove pin (E) from the stock (Fig.9) and push it into the bore (Q).
- At the same time, use the other hand to pull the trigger group downwards out of the housing (Fig.23/23.1)
- Insert the pin (E) back into the stock (D).

Mounting the Trigger Group

- Lock must be open.
- Bring trigger group in the correct position and insert it in the slot provided for it up to the stop (soft audible click) (Fig.23/23.2).

Adjustment Options on the Trigger Group

Trigger group must be dismounted.

Coverage

screw C Fig.26 increase coverage +

Force up to the pressure point

screw B Fig.27 increase force +

Trigger force

screw A Fig.28 increase force +

Trigger group need not be dismounted.

Use a standard Allen wrench, size 1.5mm, for these adjustment options.

Safety lever (P)

Position downwards "S" locked Fig.24

Position upwards "F" unlocked Fig.24

Use a standard Allen wrench, size 2.5mm, for these adjustment options.

Trigger blade unit (R)

individually adjustable according to finger length Fig.25

- Loosen screw (S).
- Move trigger blade unit (R) (25.1)
- Tighten screw (S).

9. Skid

(Fig. 29)

Important: During shooting, the opened skid (B) must absolutely be fixed by means of the knurled screw (A) with the pin (E).

The opened skid (B) is height-adjustable.

- Loosen knurled nut (X1).
- Turn the round part with rubber cap (X2) in or out.
- Manually tighten knurled nut (X1).

Note: The rubber cap (X2) of the skid (B) can be pulled off. The tip located under it can also be used as a support.

10. Handle

(Fig. 30)

Attention: Always bring handle (T) in one of the two end positions (audible CLICK).

Attention: Make sure you don't get your hand or fingers caught while re-inserting the handle.

STRASSETAC 1 is equipped with a handle (T).

It can be swiveled out as needed.

Swiveling out the Handle

Press button (U) and swivel handle upwards (CLICK).

Swiveling in the Handle

Press button (U) and swivel handle downwards. (CLICK).

11. Jowl

Fig.31 and 32

Attention: Having undertaken an individual adjustment, the jowl is to be fixed in this position!

Height-adjustment of the Jowl (V)

- Loosen clamping screw (V1) (if not feasible by hand, take out the tool, pin (E) from the stock (D), insert it into one of the radial bores and turn the clamping screw (V1) counterclockwise.
- Turn the knurled screw (V2) underneath the jowl and move the jowl upwards or downwards this way.
- After the adjustment, tighten the clamping screw (V1).
- Insert pin (E) into the stock (D).

12. Stock Cap

Fig.33 and 34

Attention: Always tighten the stock cap in the position after having undertaken an individual adjustment.

Length-adjustment of the Stock Cap

- Loosen clamping screw (W1) (if not feasible by hand, take out the tool, pin (E) from the stock (D), insert it into one of the radial bores and turn the clamping screw (W1) counterclockwise.
- Turn the knurled screw (W2) in front of the cap and move the stock cap forward or backward by doing so.
- After the adjustment, tighten the clamping screw (W1).
- Insert pin (E) into the stock (D).

Height-adjustment of the Stock Cap

- Loosen the clamping screw (X) in the middle of the stock cap with a commercially available screwdriver size 6.5x1 or 8x1.2 (about 1 rotation).
- Move the soft end of the stock cap upwards or downwards.
- Tighten the clamping screw (X).

13. Magazine

Fig.35

Attention: Always remove the magazine when transporting the STRASSER TAC 1

The STRASSER TAC 1 comes with a magazine that matches the ordered caliber group.

Capacity:

10 shots in the caliber group Standard

8 shots in the caliber group Magnum

Of course, all other Strasser RS magazines can be used for the respective matching caliber group.

Inserting the Magazine

Insert the magazine in the intended open slot on the underside of the gun and push it into the gun (35.1)

A CLICK can be heard upon reaching the correct position.

Removing the Magazine

Grasp the magazine with one hand.

Simultaneously press both buttons with the second hand.

The magazine is pressed out of the slot with little force and can be manually pulled out of the weapon (35.2).

14. Mirage Band Holder

Fig.36

By default, The STRASSER TAC 1 is equipped with a mirage band holder (BB). It is located inside the stock (D).

15. Heat Shield

Fig.37

Note: In order to avoid accumulation of heat in the main part (C), the heat shield can be opened during shooting breaks.

For practical purposes, the heat shield can be utilized like the heat tape in order to cover a possible mirage flickering (due to rising heat of the barrel) between barrel and optics.

The STRASSER TAC 1 is equipped with a heat shield in the front area of the main part (D).

Operating the heat shield when the ventilation slots are open

- Operate rotary slide (Z) clockwise (37.1).

All front slots are closed simultaneously.

Operating the heat shield when the ventilation slots are closed.

- Operate rotary slide (Z) counterclockwise (37.2).

All front slots are opened simultaneously.

16. Support

Fig.38

The support (AA) is included in the delivery and serves as a support for the shooting with the STRASSER TAC 1. It is mounted below the front shaft on the Picatinny rail.

17. Picatinny Rails

Fig.39 and 40

The laterally mounted and preassembled Picatinny rails can be used for various assemblies and accessories.

Furthermore, the STRASSER TAC 1 features two laterally mounted rails and one on the underside.

The two side rails, a left rail and a right rail, can be exchanged. (right to left and vice versa). You can also move the right one (short rail) backwards by a length (this is possible on both sides) and screw it tight there again.

The lower Picatinny rail is intended as a shooting support for the STRASSER TAC 1. A bipod can be mounted on this rail as well.

The STRASSER TAC 1 (Fig. 3) has a long Picatinny rail on the top which is intended for its lens (telescopic sight).

This rail is fixedly mounted and cannot be dismounted.

Note: The Picatinny rails meet NATO standards.

18. Spare Magazine Holder (optional)

Fig. 43 and 44

Attention: The installation of the spare magazine holder is only allowed by authorized dealers or gunsmiths!

A spare magazine holder is available for the STRASSERTAC 1. All STRASSERTAC 1 and Strasser RS magazines can be inserted into these.

Installation of the Spare Magazine Holder

- Insert the spare magazine holder from below inside the main part (C) in such a way that the catch (Z1) goes through the oval window.
- Similarly, the 2 threaded holes in the spare magazine holder must match the counterbores in the main part (C).
- Using a standard screwdriver (TX25), tighten (3 Nm) the spare magazine holder with the 2 supplied counter-sunk screws (Z2).

19. Spare Magazine (optional)

Fig. 45

Attention: While transporting the STRASSERTAC 1, the spare magazine must always be removed!

Any number of ordered spare magazines that match the caliber group can be delivered with the STRASSERTAC 1.

Capacity:

10 shots in the caliber group Standard

8 shots in the caliber group Magnum

Of course, all other Strasser RS magazines can be used for the respective matching caliber group as well.

Inserting the Magazine in the Spare Magazine Holder (option).

- Insert the magazine in the intended open slot on the underside of the gun and push it into the weapon.
- A CLICK can be heard when the correct position is reached.

Removing the Spare Magazine Holder

- Grasp the magazine with one hand.
- At the same time, press the snapper (Z1) downwards with the other hand.
- The magazine is pressed out of the slot with little force and can be manually pulled out of the weapon.

20. Muzzle Brake (optional)

Fig. 46

Attention! Always check the caliber data on the muzzle brake and the caliber of the respective barrel used, they must fit together!

The STRASSERTAC 1 muzzle brake is not included in delivery and can be purchased as an original accessory.

This muzzle brake has been specifically designed for the STRASSERTAC 1.

It has an M18x1 thread and is therefore compatible with the STRASSERTAC 1 barrels and ready for mounting.

During mounting, make sure that you first screw this muzzle brake with the hand on the barrel (align it horizontally) and tighten the knurled nut (Z3) with the pin (E) afterwards.

Note: It is sufficient to tighten these lightly and hand-tight!

Attention: Absolutely make sure that the caliber data on the front of the muzzle brake matches the caliber of your STRASSERTAC 1. Otherwise, it can lead to dangerous explosions and possibly injuries!

In the best case, the muzzle brake will reduce the recoil up to 60%. This figure is derived from various tests and empiric reports. (in-house research.)

21. Mirage Band (optional)

Fig. 47-49

The mirage band (Z7) is not included in delivery and can be purchased as an original accessory of the STRASSERTAC 1. It can always be conveniently transported in the unmounted state in the stock (D) (Fig. 48). It is generally mounted between the end of the main part (C) (see Fig. xx) and an original accessory mounted (e.g. a STRASSERTAC 1 muzzle brake).

Removal of the mirage band (Z7) from the stock (D)

Remove pin (E) from the stock (D).

With pin (E), push into the bore (CC) (48.1).

The mirage band (Z7) is slightly pushed downwards and can now be removed (48.2).

Stow away pin (E) again in the stock (D).

Mounting:

Move the mirage band (from the side) into the groove provided for it (e.g. on the muzzle brake), Fig.49 up to the stop; you will hear a mechanical „click“ at that point.

Now the mirage band is engaged and can only be unlocked and released again by pushing in the lever (see Fig.).

Now pull (49.2) the end of the mirage band towards the main part (D). Now mount the end of the mirage band on the mounting option (Z9) on the main part (D).

Dismounting:

If you want to remove the mirage band (Z7) again, carefully take the end of the mirage band with your hand (thumb and forefinger), lift it out of the mounting option (Z9) of the main part (C) and gently feed it back into the mirage band box.

Now press (49.3) the catch (Z8) and move it out of the groove counter to the mounting direction of the mirage band (Z7).

After that stow it away again in the mirage band holder provided for this in the stock (Fig. 36).

Note: Do not allow it to roll up by itself, automatically and uncontrolled! It could get damaged! Do not pull the mirage band any farther than the marking “STOPP”.

22. Sling Swivel

The STRASSERTAC 1 comes with 2 sling swivels and has **two permanently mounted** and **two exchangeable** sling swivel mountings.

The removable sling swivel mountings can be screwed on by means of a ring spanner (SW17) and a fork spanner SW 14 and switched to the respective other side (the opposite side) and remounted there.

Note: The mounting holes are protected by rubber cover caps and must be removed beforehand (before the switch)!

23. Loading and Unloading

Loading

- Remove oil from the barrel and cartridge chamber and check that there are no foreign objects in the barrel.
- Secure the weapon.
- With the thumb and forefinger of one hand, press the push buttons on both sides of the system box at the same time. The magazine is released.
- Take out the magazine.
- Let the cartridges rest at the back magazine wall and simply push them in.
- Make sure and double check under all circumstances that the ammunition corresponds with the caliber of your weapon and the magazine.
- Insert the magazine with closed bolt and without canting into the magazine shaft and push it upwards until the magazine holder audibly locks into place.
- Pull the bolt back to the stop and push it all the way forward again. Thus, the uppermost cartridge is loaded into the barrel.

Verify that: The red surface below the safety slide is not visible. The signal pin is palpable. The bolt handle is all the way in the front. **The weapon is now loaded, cocked, secured and locked.**

Unloading

- Take out the magazine.
- Press the safety slide downwards and secure it. As needed, secure the trigger by means of the trigger safety after that.
- Pull the bolt all the way back to the stop with the bolt handle. The cartridge is thus thrown out of the cartridge chamber.
- Check that the cartridge chamber is empty.

24. Shooting

Firing and Repeating

- Unlock the weapon by pressing the safety slide upwards (and moving it).
- Take aim and shoot.
- Repeating: Using the bolt handle, pull the bolt back to the stop and push it all the way forward again. With a little practice, one can also reload with the rifle in aiming position.

Note: Push the bolt handle always completely to the stop, otherwise the cartridge cannot ignite for safety reasons.

Attention: The lock of the weapon tightens itself with each repetition process. Upon interruption or completion of the shooting, the weapon is to be secured immediately by pressing down the safety slide.

Attention: Always unlock the weapon only immediately before firing. If no shot is fired, secure the weapon immediately again. If a shot is fired and reloaded (repeated), secure the weapon again immediately. Ensure that all mounted accessories are adequately fixed.

Attention: If the distance between the eye and the rifle scope is too small or the weapon is not properly seated on the shoulder, injuries cannot be excluded when shooting with large calibers. Particularly with strong calibers, attention must be paid to a suitably large distance between rifle scope and eye and to the right seating of the gun on the shoulder.

25. Cleaning/Care

Please only use the intended agents for the cleaning and care of your straight pull bolt action rifle STRASSERTAC 1. With regular and careful cleaning and maintenance, the STRASSER TAC 1 will be your reliable companion in the shooting lane even after prolonged use.

Barrel cleaning

Clean and oil the cartridge chamber and the barrel inside and outside after shooting, before prolonged storage as well as after use in wet weather. **Before shooting, barrel and cartridge chamber must be thoroughly de-oiled again.**

Note: Clean the barrel only from the cartridge chamber. Do not use steel brushes or acidic cleaning agents.

Attention: Be absolutely sure to follow the instructions and warnings of the maintenance products manufacturer!

Under no circumstance must the weapon be stored with a taped off muzzle or with a mounted muzzle protector! Be absolutely sure to follow the instructions and warnings of the maintenance products manufacturer!

Metal Parts

Keep all metal parts clean and lightly oil them.

Note: Stock oil is not suitable for the care of metal parts.

Attention: The lock and trigger system of the straight pull bolt action rifle STRASSERTAC 1 are low maintenance assemblies. Lubricants that resinate can cause malfunctions of these modules. Have your gun checked by your gunsmith at regular intervals and before traveling.

26. Transport

The safest way to transport the weapon is in the double-shell STRASSERTAC 1 weapon case made of ABS with locks. The STRASSERTAC 1 weapon case is specifically made for the transport of the TAC 1 with two barrels, two large rifle scopes and accessories.

27. Terms of Warranty

Manufacturer Warranty

The HMS GmbH warranty comes in addition to the statutory warranty claims of the dealer. The warranty is extended only to the original purchaser domiciled in the country of purchase. The warranty applies only to the metal and plastic parts of the gun and to the original Strasser three-point ball bearing assemblies, but not to the rifle scope. The warranty period is three years and begins on the date of purchase and covers all defects and damages of the weapon (metal and plastic parts) that are demonstrably based on material or production faults. In this context, the manufacturer assumes the costs of material and working time. The weapon is to be handed over to the authorized dealer for performing the warranty work. The risks and costs of the roundtrip transportation of the weapon are borne by the customer. The warranty is undertaken according to the manufacturer's choice by repair or replacement of faulty parts, replaced parts shall become the property of the manufacturer.

Warranty for Gun Efficiency

The shooting accuracy of a weapon depends on many factors. The most important factor is the ammunition. Not every barrel fires equally well with every type of ammunition, there may be considerable differences in performance. The optical sight and its mounting are just as important. Parallax, loose reticles, defects in reticle adjustment and defective assembly are the most common causes of unsatisfactory shooting performance. Therefore, you should use brand rifle scopes mounted by a specialist and attune the ammunition to your rifle by testing several types of ammunition. The ammunition of the same make and the same load can have a different shooting performance and hit point position from one manufacturing run to the other and one weapon to the other. With

an optimally selected ammunition, rifle scope and assembly we guarantee an excellent shooting performance of our rifles. Complaints concerning the shooting performance must be made in writing within 30 days after the date of purchase. We reserve the right to hand the weapon over to an independent institute for verification (DEVA or National Proof House).

Scope of Warranty

Warranty services do not make for an extension or renewal of the warranty period for the weapon or the spare parts used. The warranty period for installed spare parts ends with the warranty period for the entire weapon.

Exclusion of Warranty

The warranty is excluded in case of:

- Damages due to force majeure or environmental influences.
- Repairs, treatments or changes to the weapon by third parties.
- Use of reloaded or non-CIP-permitted ammunition.
- Damages as a result of normal wear, due to not observing the user manual or due to improper use or handling, and if the weapon shows mechanical damage of any kind.

The warranty does not apply to optical guiding devices and telescopic sight assemblies from a manufacturer other than HMS GmbH. Any other or additional claims, especially those for compensation for damages incurred outside the weapon (consequential damage) are excluded – provided there is no obligatory legal liability.

The figures included in the instruction manual may show parts that are not included in the scope of delivery.

Subject to changes with regard to further technical development.

HMS Präzisionstechnik GmbH

Gewerbestraße 11
5301 Eugendorf / Austria
HMS-Strasser.com

1. Produkt-Definition

Die STRASSER TAC1 ist ein Geradenzug-Repetierer, welcher speziell für den Schießsport entwickelt wurde.

Dieser Geradenzug-Repetierer wurde in erster Linie für sportliche Weitschuss-Schützen konstruiert und ist somit ein Präzisionsgewehr welches unter anderem für „Long-range- Shootings“ Verwendung findet.

Er kann sowohl für sportliche Trophäen als auch für jagdliche Zwecke verwendet werden. Wobei das sportliche Zielschießen mit diesem Produkt im Vordergrund stehen sollte.

Wir gratulieren ihnen zum Erwerb dieses Produktes und wünschen ihnen noch viel Spaß am Schießplatz und tolle Erfolge mit dieser Waffe.

HMS Präzisionstechnik GmbH

2. Allgemeine Sicherheitsregeln für den Umgang mit Waffen

Ihr neuer Geradezug-Repetierer STRASSERTAC1 ist eine hochpräzise Sportwaffe und besitzt ein hohes Sicherheitspotenzial, das Sie auf keinen Fall dazu verleiten darf, die erforderliche Sorgfalt und die gesetzlichen Bestimmungen im Umgang mit Waffen zu vernachlässigen.

Achtung: Vor Gebrauch der Waffe unbedingt diese Bedienungsanleitung ganz durchlesen. Die Waffe nur zusammen mit dieser Bedienungsanleitung weitergeben.

Lassen Sie sich unterstützend zu dieser Bedienungsanleitung Ihre Waffe von Ihrem Fachhändler genau erklären und sich in ihren Gebrauch einweisen.

- Waffen dürfen nur von Personen mit entsprechender
 - Berechtigung und Ausbildung bedient werden.
 - Stellen Sie sicher, dass Waffe und Munition nie in unbefugte Hände gelangen.
 - Bewahren Sie Waffe und Munition immer getrennt voneinander und unter Verschluss auf – unerreichbar für Unbefugte.
 - Beachten Sie die gültigen gesetzlichen Bestimmungen für das Führen und Aufbewahren von Waffen und Munition.
 - Machen Sie sich mit der Handhabung Ihrer Waffe gründlich vertraut und üben Sie vor dem Führen der Waffe alle Funktionen und Handgriffe mit ungeladener Waffe.
 - Betrachten Sie jede Waffe als geladen und schussbereit, solange Sie sich nicht durch Öffnen des Verschlusses und Blick ins Patronenlager (Lauf) vom Gegenteil überzeugt haben. Auch eine ungeladene Waffe ist zu handhaben wie eine geladene Waffe.
 - Halten Sie die Mündung bei jeglicher Handhabung immer in eine Richtung, in der Sie weder Personen noch Sachen gefährden oder beschädigen können.
 - Kontrollieren Sie vor dem Laden der Waffe, ob sich Ölrückstände oder sonstige Fremdkörper im Patronenlager oder Lauf befinden. Ölrückstände im Patronenlager oder im Lauf können zu deutlichen Treffpunktverlagerungen führen! Durch Fremdkörper im Lauf (z.B. Wasser, Schnee, Erde) können Laufsprengeungen entstehen. Diese können schwere Verletzungen des Schützen oder umstehender Personen verursachen! Stellen Sie sicher, dass auch während des Gebrauchs der Waffe keine Fremdkörper in den Lauf gelangen können!
 - Verwenden Sie ausschließlich Munition, welche den Anforderungen der CIP, insbesondere hinsichtlich des maximalen Gebrauchsgasdruckes (Pmax) genügt.
 - Jede einzelne STRASSERTAC1 ist vom staatlichen Beschussamt entsprechend den Anforderungen des Beschussgesetzes und der Beschussverordnung mit einem Beschussgasdruck, welcher den zulässigen maximalen Gebrauchsgasdruck Pmax um mindestens 30% übersteigt, geprüft. Übersteigen Gasdrücke der zu verwendenden Munition diesen Gasdruck, kann die Sicherheit des Anwenders oder Dritter unter Umständen nicht gewährleistet werden.
 - Laden Sie Ihre Waffe erst unmittelbar vor Gebrauch.
 - Entsichern Sie Ihre Waffe erst unmittelbar vor dem Schuss. Halten Sie den Lauf beim Entsichern in eine ungefährliche Richtung.
 - Überprüfen Sie vor jedem Schuss das Vorder- und Hintergelände.
 - Richten Sie Ihre Waffe nur auf ein Ziel, das Sie eindeutig erkannt haben.
 - Legen Sie den Finger nur an den Abzug, wenn Sie schießen wollen.
 - Geben Sie nur dann einen Schuss ab, wenn ein sicherer Kugelfang gegeben ist.
 - Versagt eine Patrone, dann öffnen Sie den Verschluss erst nach ca. 60 Sekunden. So vermeiden Sie die Gefahr durch einen Nachbrenner.
 - Tragen Sie beim Schießen einen Gehörschutz.
 - **Achtung Verbrennungsgefahr:** Achten Sie auf Ihre Hände! Lauf wird bei größerer Schussfolge sehr heiß!
- Entladen Sie Ihre Waffe...
- ...vor dem Betreten einer Ortschaft
 - ...vor dem Betreten eines Gebäudes,
 - ...vor dem Besteigen eines Fahrzeuges,
 - ...vor dem Überqueren von Hindernissen,
 - ...vor dem Besteigen und Verlassen von Hochsitzen,
 - ... wenn Sie die Waffe vorübergehend ablegen oder aushändigen.

3. Zusammenbauen und Zerlegen

Abb. 6-17

Zusammenbauen:

Wenn sie ihre STRASSERTAC1 im teilzerlegten Zustand geliefert bekommen (Abb.1 bzw. 2) müssen Sie den Zusammenbau wie folgt vornehmen.

- Der Kammergriff muss zum Einbau des Verschlusses immer in hinterer Position arretiert sein. Befindet sich der Kammergriff in vorderer Position so lässt sich der Verschluss nicht einbauen. (schwenken Sie, falls erforderlich den Kammergriff bis zum Einrasten zurück.
- Verschluss von schräg oben in die Halbschale der Verschluss-hülse einlegen (6.1) und leicht nach unten drücken. Verschluss halb schließen und durch seitliches Verdrehen prüfen, ob der Verschlussanschlag in die Führungsnut des Verschlusses eingerastet ist. Anschließend schließen sie den Verschluss, in dem Sie ihn ganz nach vorne bis zum Anschlag bewegen (6.2).
- Hinterschaft (D) lösen und aufklappen (Abb.7 und 8) Nun lösen sie die gerändelte Schraube (A) in dem sie diese gegen den Uhrzeigersinn aufdrehen. Jetzt können sie den Erdsporn (B) mit dem Finger in Richtung des Magazinschachtes drücken (7.1). Die verriegelte Verbindung mit dem Vorderschaft (C) wird nun freigegeben. (Abb.8)
Hinweis: Vergewissern Sie sich, dass die Rändelschraube (F) vollständig geöffnet ist. Mit Finger ganz in Richtung „OPEN“ drehen.
Jetzt klappen Sie den Hinterschaft (D) auf, indem Sie ihn über den Pistolengriff bewegen bis er mit einem hörbaren „Klick“ einrastet. (8.1)
Achtung: Verletzungsgefahr! Achten Sie darauf, dass Sie sich nicht Ihre Finger oder ihre Hände einklemmen!
- Jetzt entnehmen Sie das Universalwerkzeug für ihre STRASSERTAC1, den Dorn (E). Ziehen sie dafür mit ihrem Finger den Knopf zur Seite (9.1). Der Dorn (E) wird nun freigegeben (9.2).
- Benutzen Sie nun den Dorn (E) um die Klemmung mit der Rändelschraube (F) in Richtung „CLOSE“ zwischen Vorder- und Hinterschaft zu fixieren (10.1).
- Klappen Sie den Erdsporn (B) auf (8.2) und drehen sie die Rändelmutter (A) in Richtung des Uhrzeigersinns um

den Erdsporn festzuschrauben. Verwenden Sie nun den Dorn (E) um den Erdsporn zu fixieren. (Abb. 8)

- Montieren Sie nun den Lauf.
Ihr mitgelieferter Lauf besitzt einen Laufring mit einer Art Führungsnase (G). Diese „Nase“ passt genau in die dafür bestehende Ausnehmung (H) in der Verschluss-hülse. (Abb. 11 und 12)
- Stellen Sie ihre STRASSERTAC1 senkrecht und öffnen sie zuerst den Verschluss, ziehen sie diesen nach Hinten (nach unten).
- **Achten Sie darauf, dass Sie sich Ihre Hand oder auch Ihre Finger nicht einklemmen!**
- Führen sie nun den Lauf in den Verschlusskasten von oben ein.
- **Achten Sie darauf, dass der Laufring mit der Führungsnase richtig positioniert ist. (Abb. 11 und 12).**
- **Achtung:** Laufklemmung muss auf „open“ stehen andernfalls können Sie den Lauf nicht einführen!
- Stecken Sie den Lauf bis zum Anschlag in den Verschlusskasten.
- **Vergewissern Sie sich durch eine Sichtkontrolle, dass der Lauf am Verschlusskasten aufliegt und die Klemmnut des Laufrings mit der Klemmnut des Verschlusskastens übereinstimmt (Abb. 13).**
- Schließen sie nun den Verschluss derart (17.3), dass der Verschluss, der Lauf und der Verschlusskasten eine Einheit bilden.
- Verwenden Sie jetzt den Dorn (E) um die Laufklemmung (K) zu aktivieren. Stecken Sie den Dorn (E) in die seitlich angeordnete (BEST™) (Abb. 14) und bewegen Sie nun den Dorn in Richtung „close“ (Abb. 15)(15.1). Achten Sie darauf, dass der Sicherungsdrücker (L) herauschaut (Abb. 16) und somit ein unbeabsichtigtes Lösen der Laufklemmung nicht möglich ist!

Um die Laufklemmung wieder zu lösen und den Lauf freizugeben müssen Sie diesen Sicherungsdrücker (L) hineindrücken und anschließend mit dem Dorn (E) die Laufklemmung lösen, indem Sie den Dorn (E) in Richtung „open“ drehen.

Achten Sie darauf, dass dieser Sicherungsdrücker solange gedrückt bleibt, bis er in der Laufklemmung (K) verschwindet. Ansonsten können sie die Öffnungsbe-

wegung nicht ausführen!

- **Achtung:** Beim Zusammenbau stets darauf achten, dass der Lauf, der Verschluss (Verschlusskopf) und das Magazin dem Kaliber entsprechen!
- Sie können jetzt ein Zweibein montieren oder mit der mitgelieferten Auflage mit Gummieinsätzen fortfahren. (siehe Abb.11)

Zerlegen:

- Waffe sichern und Verschluss öffnen. Es wird empfohlen beide Sicherungen zu verwenden - also beide zu sichern. (Abb.19a und 21).
- Magazin entfernen (Kap. 13).
- Öffnen Sie den Verschluss, indem Sie diesen nach hinten ziehen (Abb. 41).
- Prüfen sie nun ob sich auch wirklich keine Patrone mehr im Lauf befindet!
- Um die Laufklemmung wieder zu lösen und den Lauf freizugeben müssen Sie diesen Sicherungsdrücker (L) hineindrücken und anschließend mit dem Dorn (E) die Laufklemmung lösen, indem Sie den Dorn in Richtung „open“ drehen (10.2).
- **Achten Sie darauf, dass dieser Sicherungsdrücker (L) gedrückt bleibt, ansonsten können Sie die Öffnungsbewegung nicht ausführen!**
- Jetzt können Sie den Lauf entnehmen.
- Stellen sie hierfür die STRASSERTAC1 senkrecht auf und ziehen Sie den Lauf vorsichtig nach oben aus dem Verschlusskasten heraus. (17.4)
- **Achtung: Vergewissern Sie sich nochmals ob auch wirklich beide Sicherungen aktiv sind und gesichert wurden! Dies dient rein zu ihrer persönlichen Sicherheit! Halten Sie die Laufmündung auch nicht in Richtung anderer Personen oder in Richtung ihres Kopfes! Führen Sie diese Schritte in Ruhe, überlegt und mit Bedacht aus; es dient rein Ihrer Sicherheit und auch der Sicherheit „Dritter“!**
- Lösen Sie nun die Feststellmutter (F) indem Sie mit dem Dorn (E) die Feststellmutter (F) in Richtung „open“ drehen.
- Lösen Sie nun den Erdsporn (B) indem Sie mit dem Dorn (E) die Rändelmutter lösen und aufdrehen (gegen den Uhrzeigersinn).
- Klappen sie den Erdsporn (B) ein.

- Schließen Sie jetzt den Verschluss. **Wichtig: Sonst können Sie den Hinterschaft nicht zusammenklappen!**
- Drücken sie nun mit ihrem Daumen und ihrem Zeigefinger die beiden Drücker (K) hinein um den Hinterschaft einklappen zu können. (Abb. 8)
- Klappen Sie jetzt den Hinterschaft ein. Schwenken Sie den Hinterschaft über den Pistolengriff (Abb. 8).
- Nun können sie den Erdsporn wieder mit dem Vorderschaft (C) verbinden. Achten Sie darauf, dass der „Haken“ des Erdsporns in den silberfarbenen Stift (O) einhakt. Heben Sie anschließend den Erdsporn (B) etwas an, nun rastet dieser mit dem silberfarbenen Stift (O) ein. Halten Sie den Erdsporn in dieser Position und fixieren Sie diesen wieder mit der Rändelmutter (A). Drehen Sie hierfür die Rändelmutter in Richtung Uhrzeigersinn. (Handfest ohne zu Hilfenahme des Dorns (E) ist ausreichend!)
- Sie können nun auch wieder ihr Zweibein demontieren. (optional)
- Sie können nun (wenn es ihnen beliebt bzw. wenn es erforderlich ist) den Tragegriff (M) ausfahren. Drücken Sie dazu den Druckknopf (U) z.B. mit ihrem rechten Daumen hinein und ziehen Sie mit ihrer linken Hand den gummierten Tragegriff (T) nach oben hinaus bis dieser hörbar einrastet. Lassen Sie den Druckknopf (U) wieder aus und versichern Sie sich dass der Tragegriff (T) eingerastet ist!
Um den Tragegriff (T) wieder in den Hinterschaft einzufahren, drücken Sie wiederum den Druckknopf (U) hinein und schieben Sie den Tragegriff (T) hinein bis dieser wieder hörbar einrastet.
Versichern Sie sich dass der Tragegriff gut verstaut und eingerastet ist.

Verschluss entnehmen:

Abb. 41

Verschluss bis Anschlag nach hinten ziehen (41.1).

Dorn (E) in Bohrung (CC) einführen (41.2).

Dorn (E) aufkippen (41.3) dadurch wird der Verschlussanschlag freigegeben.

Verschluss ganz nach hinten ziehen (41.4) und schräg nach oben –hinten entnehmen (41.5).

4. Lauf und Laufwechsel

Abb. 15,16,17

Es werden zwei Kalibergruppen angeboten, die wie folgt gekennzeichnet sind:

STA (Standardkaliber)

MAG (Magnumkaliber)

Standardkaliber: 6,5x55SE, 6,5-284Norma, .308Win.

Standardkaliber: .300Win.Mag.

Von einer Kalibergruppe in die andere muss der Verschlusskopf gewechselt werden.

Innerhalb einer Kalibergruppe können die Läufe ohne Austausch des Verschlusskopfes gewechselt werden.

Achten sie darauf, dass beim Laufwechsel auch das Magazin für die entsprechende Kalibergruppe eingesetzt wird. Die Magazine haben seitlich die Kaliberbezeichnungen, für die sie bestimmt sind.

Hinweis: Achten sie immer auf saubere Laufwurzel und Laufaufnahme im Hülsenkopf.

- Stellen Sie ihre STRASSERTAC1 senkrecht und öffnen sie zuerst den Verschluss, ziehen sie diesen nach Hinten (nach unten). **Achten Sie darauf, dass Sie sich ihre Hand oder auch ihre Finger nicht einklemmen!**
- Führen sie nun den Lauf in die Verschlusshülse von oben ein. **Achten Sie darauf, dass der Laufring mit der Führungsnase richtig positioniert ist.** (siehe Abb. 7c) **Achtung: Laufklemmung muss auf „OPEN“ stehen andernfalls können Sie den Lauf nicht einführen!**
- Stecken Sie den Lauf bis zum Anschlag in die Verschlusshülse. Schließen sie nun den Verschluss sodass der Verschluss, der Lauf und die Verschlusshülse eine Einheit bilden.
- Verwenden Sie jetzt den Dorn (E) um die Laufklemmung zu aktivieren.
Stecken Sie den Dorn in die seitlich angeordnete Laufklemmungseinrichtung (I), (BEST™) Siehe Abb. 8a und bewegen Sie nun den Dorn in Richtung „close“. Achten Sie darauf, dass der Sicherungsdrücker (J) anschließend herauschaut und somit ein unbeabsich-

tigtes Lösen der Laufklemmung nicht möglich ist!

Siehe Abb. 8b

- Um die Laufklemmung wieder zu lösen und den Lauf freizugeben müssen Sie diesen Sicherungsdrücker (J) hineindrücken und anschließend mit dem Dorn die Laufklemmung lösen, indem Sie den Dorn in Richtung „open“ drehen, (bewegen). **Achten Sie darauf, dass dieser Sicherungsdrücker gedrückt bleibt ansonsten können sie die Öffnungsbewegung nicht ausführen!**

Achtung: Beim Zusammenbau stets darauf achten, dass der Lauf, der Verschluss (Verschlusskopf) und das Magazin dem Kaliber entsprechen!

5. Dorn

Abb. 9

Die **STRASSER-TAC1** besitzt ein „Universalwerkzeug“ den Dorn (E) (Abb.9)

Mit diesem Dorn wird unter anderem z.B. die Laufklemmung aktiviert, das Flimmerband aus dem Hinterschaft (D) oder die Abzugsgruppe aus dem Verschlusskasten entnommen (uvm.)

Mit dem Dorn (E) wird betätigt

- Die Feststellschraube (F) für die zur Feststellung der Verbindung Hinterschaft (D) mit Hauptteil (C)
- die Klemmschraube (V1) zur Feststellung der verstellbaren Backe (V)
- die Klemmschraube (W1) zur Feststellung der in der Tiefe verstellbaren Schaftkappe (W)
- die Klemmung vom Erdsporn (B)
- die Laufklemmung (K)

Mit dem Dorn (E) erfolgt

- die Freigabe der Abzugsgruppe
- die Freigabe des Verschlusses
- die Freigabe des Flimmerbandes

Der Dorn (E) ist im Bereich des Hinterschaftes (D) immer an „Board“ und wird (Abb. 9) mit seitlichem Verschieben (9.1) des Knopfes freigegeben (9.2) und kann anschließend wieder dort verstaut werden.

6. Wechsel des Verschlusskopfes

Abb. 18

Der Geradestück-Repetierer **STRASSER-TAC1** hat einen sowohl sehr sicheren als auch sehr bedienerfreundlichen Verschluss. Beim Wechsel in eine andere Kalibergruppe ist lediglich der Verschlusskopf (U) auszutauschen.

• **Ausbau des Verschlusskopfes**

- Waffe entladen.
- Verschluss ausbauen. (dazu muss der Hinterschaft (D) leicht eingeklappt werden. Siehe dazu die Beschreibung für Zusammenbau und Zerlegen, Abb. 11)
- Schwenklappe (V) aufklappen und Verschlusskopf herausnehmen.

Einbau des Verschlusskopfes

- Den zum Kaliber passenden Verschlusskopf mit dem Fixierstift/Positionierstift (W) übereinstimmend einlegen.
- Schwenklappe (V) herunterklappen bis sie einrastet.

7. Sicherungen

Abb. 19-22

Die STRASSER TAC1 hat zwei Sicherungen.

Eine Hauptsicherung (Abb. 19 und 20) welche sich am Verschluss befindet und eine Nebensicherung (Abb. 21 und 22) welche sich direkt am Abzug befindet.

Die Hauptsicherung:

Die STRASSER TAC1 hat einen ergonomisch konstruierten vertikalen Sicherungsschieber (P1), der im gesicherten Zustand durch einen Druckknopf (P2) blockiert ist. Er wirkt direkt auf die Schlagbolzenmutter und somit auf und sorgt für äußerste Sicherheit.

Die Nebensicherung:

Die STRASSER TAC1 hat eine zweite sehr bedienerfreundliche und ergonomisch konstruierte Abzugssicherung. Diese sichert direkt den Abzug. (Abb. 21 und 22).

Achtung: Beim Entsichern und Sichern niemals in den Abzug greifen!

Sichern:

Sicherungsschieber am Verschluss: (Abb. 19)

- Sicherungsschieber (P1) nach unten drücken (19.1) bis der Druckknopf (P2) einrastet. Der Druckknopf (P2) muss in seine Ausgangsstellung zurückspringen. Jetzt ist die rote Fläche (P3) unterhalb des Sicherungsschiebers (P1) nicht mehr sichtbar. **Die Waffe ist nun gesichert.**

Bei der STRASSER TAC1 kann auch bei geöffnetem Verschluss gesichert werden, sodass beim Schließen des Verschlusses die Waffe bereits gesichert ist. Die Abzugssicherung kann auch immer und in jedem Zustand aktiviert und somit gesichert werden.

Abzugssicherung: (Abb.21)

- Bewegen Sie den kleinen Hebel (P5) nach unten (21.1) in Richtung „S“.

S steht für SAFE und der Abzug ist somit **gesichert**.

8. Abzugsgruppe, div. Einstellungen

Abb.23-28

Der Geradestrich-Repetierer STRASSER TAC1 besitzt eine eigens dafür konstruierte Abzugsgruppe.

Achtung! Vor jeder Handhabung der Abzugsgruppe den Sicherungshebel (P) in Stellung „S“ bringen.

Ausbau der Abzugsgruppe

- Verschluss muss geöffnet sein.
- Dorn (E) aus dem Hinterschaft (D) entnehmen (Abb.9) und diesen in die Bohrung (Q) drücken.
- Zugleich mit der anderen Hand die Abzugsgruppe nach unten aus dem Verschlusskasten ziehen (Abb.23/23.1)
- Dorn wieder in den Hinterschaft (D) einsetzen.

Einbau der Abzugsgruppe

- Verschluss muss geöffnet sein.
- Abzugsgruppe lagerichtig in Stellung bringen und diese in den für sie vorgesehenen Schacht bis zum Anschlag (leises Klicken hörbar) einschieben (Abb.23/23.2).

Einstellmöglichkeiten an der Abzugsgruppe

Abzugsgruppe muss ausgebaut sein.

Überdeckung

Schraube C Abb.26 Überdeckung vergrößern+

Kraft bis zum Druckpunkt

Schraube B Abb.27 Kraft erhöhen +

Abzugskraft

Schraube A Abb.28 Kraft erhöhen +

Abzugsgruppe muss nicht ausgebaut sein.

Für diese Einstellmöglichkeiten verwenden Sie einen handelsüblichen Sechskant-Stiftschlüssel Größe 1,5mm.

Sicherungshebel (P)

Stellung nach unten „S“ gesichert

Abb.24

Stellung nach oben „F“ entsichert

Abb.24

Für diese Einstellmöglichkeiten verwenden Sie einen handelsüblichen Sechskant-Stiftschlüssel Größe 2,5mm.

Züngleinheit (R)

entsprechend Fingerlänge individuell einstellbar Abb.25

- Schraube (S) lösen.
- Züngleinheit (R) verschieben (25.1)
- Schraube (S) fest ziehen.

9. Erdsporn

Abb.29

Wichtig: Der ausgeklappte Erdsporn (B) muss beim Schießen unbedingt über die gerändelte Schraube (A) mit dem Dorn (E) fixiert werden.

Der ausgeklappte Erdsporn (B) ist höhenverstellbar.

- Rändelmutter (X1) lösen.
- rundes Teil mit Gummikappe (X2) ein oder ausdrehen
- Rändelmutter (X1) von Hand festziehen.

Hinweis: Beim Erdsporn (B) kann die Gummikappe (X2) abgezogen werden. Die darunter befindliche Spitze kann ebenfalls als Auflage verwendet werden.

10. Tragegriff

Abb.30

Achtung: Tragegriff (T) immer in eine der beiden Endstellungen bringen (hörbarer KLICK). **Vorsicht:** Achten Sie darauf, dass Sie sich ihre Hand bzw. ihre Finger bei wieder einführen des Tragegriffes nicht klemmen.

STRASSERTAC 1 ist mit einem Tragegriff (T) ausgerüstet.

Dieser kann bei Bedarf ausgeschwenkt werden.

Ausschwenken des Tragegriffes

Knopf (U) drücken und Tragegriff nach oben herausschwenken (KLICK).

Einschwenken des Tragegriffes

Knopf (U) drücken und Tragegriff nach unten drücken. (KLICK).

11. Backe

Abb.31 und 32

Achtung: Nach durchgeführter, persönlicher Einstellung ist die Backe in dieser Lage zu fixieren!

Höheneinstellung der Backe (V)

- Klemmschraube (V1) lösen (falls von Hand nicht lösbar, das Werkzeug, Dorn (E) aus dem Hinterschaft (D) entnehmen, diesen in eine der Radialbohrungen einstecken und die Klemmschraube (V1) entgegen dem Uhrzeigersinn drehen.
- Rändelschraube (V2) unterhalb der Backe drehen und damit die Backe nach oben oder unten bewegen.
- Nach erfolgter Einstellung die Klemmschraube (V1) festziehen.
- Dorn (E) in den Hinterschaft (D) einsetzen.

12. Schafkkappe

Abb.33 und 34

Achtung: Die Schafkkappe nach den durchgeführten, persönlichen Einstellungen immer in der Lage festziehen.

Längeneinstellung der Schafkkappe

- Klemmschraube (W1) lösen (falls von Hand nicht lösbar, das Werkzeug, Dorn (E) aus dem Hinterschaft (D) entnehmen, diesen in eine der Radialbohrungen einstecken und die Klemmschraube (W1) entgegen dem Uhrzeigersinn drehen.
- Gerändelte Schraube (W2) vor der Kappe drehen und damit die Schafkkappe nach vorne oder hinten bewegen.
- Nach der erfolgten Einstellung die Klemmschraube (W1) festziehen.
- Dorn (E) in den Hinterschaft (D) einsetzen.

Höheneinstellung der Schafkkappe

- Klemmschraube (X) in der Mitte der Schafkkappe mit handelsüblichem
- Schraubendreher der Größe 6,5x1 oder 8x1,2 lösen (ca. 1 Umdrehung).
- Das weiche Endstück der Schafkkappe nach oben oder unten verschieben.
- Klemmschraube (X) festziehen.

13. Magazin

Abb.35

Achtung: Beim Transport der STRASSER TAC 1 ist das Magazin immer zu entnehmen!

STRASSER TAC 1 wird mit einem zur bestellten Kalibergruppe passendem Magazin geliefert.

Fassungsvermögen:

10 Schuss in der Kalibergruppe Standard

8 Schuss in der Kalibergruppe Magnum

Selbstverständlich können auch alle anderen Strasser Magazine zur jeweiligen Kalibergruppe passend verwendet werden.

Einstecken des Magazins

Magazin in den dafür vorgesehenen offenen Schacht an der Unterseite der Waffe einführen und in die Waffe drücken (35.1). Bei richtig erreichter Lage ist ein CLICK hörbar.

Entnehmen des Magazins

Magazin mit einer Hand ergreifen. Gleichzeitig mit der zweiten Hand die beiden Knöpfe (Y) drücken. Magazin wird mit geringer Kraft aus dem Schacht gedrückt und kann mit der Hand aus der Waffe gezogen werden (35.2).

14. Flimmerbandhalter

Abb.36

Die STRASSER TAC 1 ist serienmäßig mit einem Flimmerbandhalter (BB) ausgestattet. Dieser befindet sich im Inneren des Hinterschafes (D).

15. Flimmerschutz

Abb.37

Hinweis: Um Hitzestau im Hauptteil (C) zu vermeiden kann der Flimmerschutz während Schießpausen geöffnet werden.

Der Flimmerschutz kann praktischerweise wie das Flimmer-

band ausgenutzt werden um ein mögliches Flimmern (auf Grund aufsteigender Hitze des Laufes) zwischen Lauf und Optik abzudecken.

STRASSER TAC 1 ist mit einem Flimmerschutz im vorderen Bereich des Hauptteiles (D) ausgestattet.

Betätigung des Flimmerschutzes wenn Lüftungsschlitz offen sind

- Drehschieber (Z) im Uhrzeigersinn betätigen (37.1).

Alle vorderen Schlitze werden gleichzeitig geschlossen.

Betätigung des Flimmerschutzes wenn Lüftungsschlitz geschlossen sind

- Drehschieber (Z) gegen den Uhrzeigersinn betätigen (37.2). Alle vorderen Schlitze werden gleichzeitig geöffnet.

16. Auflage

Abb.38

Die Auflage (AA) ist im Lieferumfang enthalten und dient als Schießauflage für die STRASSER TAC 1. Sie wird unterhalb des Vorderschaftes auf die Picatinny-Schiene angebracht.

17. Picatinny-Schienen

Abb.39 und 40

Die seitlich angebrachten und vormontierten Picatinny-Schienen können für verschiedene Aufbauten und Zusatzgeräte verwendet werden.

Weiters besitzt die STRASSER TAC 1 zwei seitliche montierte Schienen und eine an der Unterseite.

Die beiden seitlichen Schienen; eine Linke und eine Rechte-Schiene können ausgetauscht werden. (rechts nach links und umgekehrt). Sie können auch die rechte (kurze-Schiene) um eine Länge nach hinten verschieben (das ist an beiden Seiten möglich) und dort wiederum festschrauben.

Die untere Picatinny-Schiene ist für die STRASSER TAC 1 Schießauflage vorgesehen. Es kann auch ein Bipod auf dieser Schiene montiert werden.

Die STRASSER TAC 1 (Abb.3) hat eine lange Picatinny Schiene auf der Oberseite welche für ihre Optik (Zielfernrohr) vorgesehen ist.

Diese Schiene ist fix montiert und kann nicht demontiert werden.

Hinweis: Die Picatinny-Schienen entsprechen NATO-Standard.

18. Reservemagazinhalter (optional)

Abb. 43 und 44

Achtung: Der Einbau des Reservemagazinhalters darf nur vom autorisierten Fachhändler bzw. Büchsenmacher erfolgen!

Zur STRASSER TAC 1 kann ein Reservemagazinhalter geliefert werden. In diesen können alle STRASSER TAC 1 und Strasser RS Magazine eingeschoben werden.

Einbau des Reservemagazinhalters

- Reservemagazinhalter von unten im Hauptteil (C) innen so einlegen, dass der Schnapper (Z1) durch das ovale Fenster durchsticht.
- Ebenso müssen die 2 Gewindebohrungen am Reservemagazinhalter mit den Senkbohrungen im Hauptteil (C) übereinpassen.
- Mit den 2 Stück mitgelieferten Senkschrauben (Z2) den Reservemagazinhalter mit einem handelsüblichen Schraubendreher (TX 25) festziehen (3Nm).

19. Reservemagazin (optional)

Abb. 45

Achtung: Beim Transport der STRASSER TAC 1 ist das Reservemagazin immer zu entnehmen!

Zur STRASSER TAC 1 kann eine beliebige Anzahl zur bestellten Kalibergruppe passenden Reservemagazinen geliefert werden.

Fassungsvermögen:

10 Schuss in der Kalibergruppe Standard

8 Schuss in der Kalibergruppe Magnum

Selbstverständlich können auch alle anderen Strasser RS Magazine zur jeweiligen Kalibergruppe passend verwendet werden.

Einstecken des Magazins in den Reservemagazinhalter (Option)

- Magazin in den dafür vorgesehenen offenen Schacht an der Unterseite der Waffe einführen und in die Waffe drücken.
- Bei richtig erreichter Lage ist ein CLICK hörbar.

Entnehmen des Reservemagazins

- Magazin mit einer Hand ergreifen.
- Gleichzeitig mit der zweiten Hand den Schnapper (Z1) nach unten drücken.
- Magazin wird mit geringer Kraft aus dem Schacht gedrückt und kann mit der Hand aus der Waffe gezogen werden.

20. Mündungsbremse (optional)

Abb. 46

Achtung! Kontrollieren Sie immer die Kaliberangabe auf der Mündungsbremse und das Kaliber des verwendeten und jeweiligen Laufes, diese müssen zusammen passen!

Die STRASSER TAC 1 Mündungsbremse ist nicht im Lieferumfang enthalten und kann als Originalzubehör gekauft werden. Diese Mündungsbremse ist speziell für die STRASSER TAC 1 konzipiert worden. Sie hat ein M18x1 Gewinde und ist somit mit den STRASSER TAC 1 Läufen kompatibel und für die Montage vorbereitet. Bei der Montage achten sie darauf, dass Sie diese Mündungsbremse zuerst mit der Hand auf den Lauf aufschrauben, (waagrecht ausrichten) und anschließend die gerändelte Mutter (Z3) mit dem Dorn (E) festziehen.

Hinweis: Es genügt wenn Sie diese leicht und nur handfest anziehen! **Achtung:** Unbedingt darauf achten, dass die Kaliberangabe auf der Vorderseite der Mündungsbremse mit dem Kaliber ihrer STRASSER TAC 1 zusammen passt. Ansonsten kann es zu gefährlichen Sprengungen und gegebenenfalls Verletzungen führen!

Im günstigsten Fall wird die Mündungsbremse den Rückstoß bis zu 60% reduzieren. Dieser Wert ergibt sich aus div. Tests bzw. Erfahrungsberichten. (hausinterne Recherchen.)

21. Flimmerband (optional)

Abb. 47-49

Das Flimmerband (Z7) ist nicht im Lieferumfang enthalten und kann bei Bedarf als Originalzubehör für STRASSER TAC1 erworben werden. Es kann praktischerweise bei nicht montiertem Zustand im Hinterschaft (D) stets mittransportiert werden (Abb. 48). Es wird grundsätzlich zwischen dem Ende des Hauptteils (C) (siehe Abb. xx) und einem Originalzubehör (z.B. einer STRASSER TAC1-Mündungsbremse) montiert.

Entnahme des Flimmerbandes (Z7) aus dem Hinterschaft (D) Dorn (E) aus dem Hinterschaft (D) entnehmen. Mit Dorn (E) in Bohrung (DD) drücken (48.1). Flimmerband (Z7) wird leicht nach unten gedrückt und kann nun entnommen werden (48.2). Dorn (E) wieder im Hinterschaft (D) verstauen.

Montage:

Schieben Sie das Flimmerband (von der Seite aus) in die dafür vorgesehene Nut (z.B. auf der Mündungsbremse), Abb.49 bis zum Anschlag; sie hören dann ein mechanisches „Klicken“. Jetzt ist das Flimmerband eingerastet und kann nur wieder mit hineindrücken des Hebels (siehe Abb.) entriegelt und gelöst werden. Ziehen Sie jetzt (49.2) das Ende des Flimmerbandes in Richtung Hauptteil (D). Nun hängen Sie das Flimmerbandende an der Befestigungsmöglichkeit (Z9) am Hauptteil (D) ein.

Demontage:

Wenn Sie das Flimmerband (Z7) wieder entfernen möchten, nehmen sie das Ende des Flimmerbandes vorsichtig in die Hand (Daumen und Zeigefinger) heben Sie es aus der Befestigungsmöglichkeit (Z9) des Hauptteiles (C) und führen Sie es vorsichtig wieder in den Flimmerbandkasten hinein. Drücken (49.3) Sie nun die Raste (Z8) und schieben Sie entgegen der Montagerichtung das Flimmerband (Z7) aus der Nut. Anschließend verstauen Sie es wieder in dem dafür vorgesehenem Flimmerbandhalter im Hinterschaft (Abb. 36).

Hinweis: Lassen Sie es nicht selbstständig, automatisch und unkontrolliert einrollen! Es könnte dabei beschädigt werden! Ziehen Sie das Flimmerband nicht weiter als bis zur Markierung- STOPP heraus

22. Riemenbügel

Die STRASSER TAC1 wird mit 2 Stück Riemenbügel geliefert und besitzt **zwei fix montierte** und **zwei wechselbare** Riemenbügelhalterungen.

Die wechselbaren Riemenbügelhalterungen können mit Hilfe eines Ringschlüssel (SW17) und einem Gabelschlüssel SW 14 aufgeschraubt werden und auf die jeweilige andere Seite (nach gegenüber) gewechselt und wieder montiert werden.

Hinweis: Die Montagebohrungen sind durch Gummi-Abdeckkappen geschützt und diese müssen vorher (vor dem Umbau) entfernt werden!

23. Laden – Entladen

Laden

- Entölen Sie Lauf und Patronenlager und kontrollieren Sie ob sich kein Fremdkörper im Lauf befindet.
- Waffe sichern.
- Mit dem Daumen und Zeigefinger einer Hand die Druckknöpfe auf beiden Seiten des Systemkastens gleichzeitig drücken. Das Magazin wird freigegeben.
- Magazin herausnehmen.
- Patronen hinten an der Magazinwand anliegen lassen und einfach hineindrücken.
- Überzeugen sie sich unbedingt davon, dass die Munition mit der Kaliberangabe ihrer Waffe und dem Magazin übereinstimmt.
- Magazin bei geschlossenem Verschluss ohne zu verkanten in den Magazinschacht einführen und hochschieben, bis die Magazinhalter hörbar einrasten.
- Verschluss bis zum Anschlag zurückziehen und wieder ganz nach vorne schieben. Damit wird die oberste Patrone in den Lauf repetiert.

Kontrollieren Sie: Die rote Fläche unterhalb des Sicherungsschiebers ist nicht sichtbar. Der Signalstift ist fühlbar. Der Kammergriff ist ganz vorne. **Die Waffe ist jetzt geladen, gespannt, gesichert und verriegelt.**

Entladen

- Magazin herausnehmen.
- Sicherungsschieber nach unten drücken und sichern. Gegebenenfalls sichern sie anschließend den Abzug mittels der Abzugssicherung.
- Ziehen Sie den Verschluss mit dem Kammergriff bis zum Anschlag nach hinten. Dabei wird die Patrone aus dem Patronenlager herausgeworfen.
- Prüfen, ob das Patronenlager leer ist.

24. Schießen

Schießen und Repetieren

- Waffe durch nach oben Drücken (und schieben) des Sicherungsschiebers entsichern.
- Ziel anvisieren und schießen.
- Repetieren: Den Verschluss am Kammergriff bis zum Anschlag zurückziehen und wieder ganz nach vorne schieben. Mit etwas Übung kann auch im Anschlag repetiert werden.

Hinweis: Schieben Sie den Kammergriff immer völlig bis zum Anschlag vor, ansonsten kann die Patrone aus Sicherheitsgründen nicht zünden.

Achtung: Das Schloss der Waffe spannt sich bei jedem Repetiervorgang. Bei Unterbrechung oder Beendigung des Schießens ist die Waffe durch nach unten drücken des Sicherungsschiebers sofort zu sichern.

Achtung: Waffe immer erst unmittelbar vor Schussabgabe entsichern. Wird kein Schuss abgegeben, Waffe sofort wieder sichern. Wird ein Schuss abgegeben und nachgeladen (repetiert), Waffe sofort wieder sichern. Vergewissern Sie sich, dass alle angebauten Zusatzeinrichtungen ausreichend fixiert sind.

Achtung: Bei zu geringem Abstand zwischen Auge und Zielfernrohr sowie bei nicht richtigem Sitz der Waffe an der Schulter, sind beim Schießen mit größeren Kalibern Verletzungen nicht auszuschließen. Besonders bei starken Kalibern muss auf einen entsprechend großen Abstand zwischen Zielfernrohr und Auge sowie auf die richtige Schulteranlage geachtet werden.

25. Reinigung/Pflege

Bitte benutzen Sie zur Reinigung und Pflege Ihres Geratedezug-Repetierers STRASSERTAC1 ausschließlich Mittel, die dafür bestimmt sind. Bei regelmäßiger und sorgfältiger Reinigung und Pflege wird die STRASSERTAC1 auch nach langem Gebrauch Ihr Zuverlässiger Begleiter auf der Schießbahn sein.

Laufreinigung

Nach dem Schießen, vor längerem Lagern, sowie nach Gebrauch bei nasser Witterung, Patronenlager und Lauf innen und außen reinigen und einölen. Vor dem Schießen müssen Lauf und Patronenlager wieder gründlich entölt werden.

Hinweis: Lauf nur vom Patronenlager her reinigen. Keine Stahlbürsten oder säurehaltigen Reinigungsmittel verwenden.

Achtung: Unbedingt die Anleitungen und Warnhinweise des Pflegemittelherstellers beachten! Die Waffe keinesfalls mit abgeklebter Mündung oder mit angebrachtem Mündungsschoner lagern! Unbedingt die Anleitung und Warnhinweise des Pflegemittelherstellers beachten!

Metallteile

Alle Metallteile sauber halten und leicht einölen.

Hinweis: Schäftöl ist nicht zur Pflege von Metallteilen geeignet.

Achtung: Das Schloss- und Abzugssystem des Geratedezug-Repetierers STRASSERTAC1 sind wartungsarme Baugruppen. Schmiermittel, die verharzen, können Funktionsstörungen dieser Baugruppen verursachen. Lassen Sie Ihre Waffe in regelmäßigen Abständen, und vor reisen von Ihrem Büchsenmacher prüfen.

26. Transport

Am sichersten transportieren Sie die Waffe im doppelschaligen STRASSERTAC1 Waffenkoffer aus ABS mit Schlössern. Der STRASSERTAC1-Waffenkoffer ist speziell für den Transport des TAC1 mit zwei Läufen, zwei großen Zielfernrohren und Zubehör gefertigt.

27. Garantiebedingungen

Herstellergarantie

Die Garantie der HMS GmbH wird zusätzlich zu den gesetzlichen Gewährleistungsansprüchen des Händlers geleistet. Die Garantie wird nur für den Ersterwerber geleistet, der seinen Wohnsitz im Erwerbsland hat. Die Garantie bezieht sich ausschließlich auf die Metall- und Kunststoffteile der Waffe und auf Original Strasser Dreipunkt-Kugelsitzmontagen, nicht aber auf die Zieloptik. Die Garantiezeit beträgt drei Jahre und beginnt mit dem Verkaufsdatum und umfasst alle Mängel und Schäden der Waffe (Metall- und Kunststoffteile), die nachweislich auf Material- oder Fertigungsfehlern beruhen. In diesem Rahmen übernimmt der Hersteller die Kosten für Material und Arbeitszeit. Für die Durchführung der Garantiewerke ist die Waffe an den autorisierten Fachhändler abzugeben. Gefahr und Kosten für den Hin- und Rücktransport der Waffe trägt der Kunde. Die Garantieleistung erfolgt nach Wahl des Herstellers durch Reparatur oder Ersatz fehlerhafter Teile, ersetzte Teile gehen in das Eigentum des Herstellers über.

Garantie auf die Schussleistung

Die Schusspräzision einer Waffe ist von vielen Faktoren abhängig. Der wichtigste Faktor ist die Munition. Nicht jeder Lauf schießt mit jeder Munitionssorte gleich gut, es können erhebliche Leistungsunterschiede bestehen. Die Zieloptik und deren Montage ist ebenso bedeutend. Parallaxe, lose Absehen, Defekte der Absehenverstellung und eine mangelhafte Montage sind die häufigsten Ursachen für unbefriedigende Schussleistungen. Deshalb sollten Sie vom Fachmann montierte Marken-Zielfernrohre verwenden und die Munition auf Ihre Waffe abstimmen, indem Sie mehrere Munitionssorten prüfen. Die Munition gleichen Fabrikats und der gleichen Laborierung kann von Fertigung zu Fertigung und von Waffe zu Waffe eine unterschiedliche Schussleistung und Treffpunktlage haben.

Bei optimal ausgewählter Munition, Zielloptik und Montage leisten wir Gewähr für eine hervorragende Schussleistung unserer Waffen. Beanstandungen der Schussleistung müssen innerhalb von 30 Tagen nach Verkaufsdatum schriftlich geltend gemacht werden. Wir behalten uns vor, die Waffe an ein unabhängiges Institut zur Überprüfung zu geben (DEVA oder Staatliches Beschussamt).

Umfang der Garantie

Garantieleistungen bewirken weder für die Waffe noch für die eingebauten Ersatzteile eine Verlängerung oder Erneuerung der Garantiefrist. Die Garantiefrist für eingebaute Ersatzteile endet mit der Garantiefrist für die gesamte Waffe.

Garantieausschluss

Die Garantie wird ausgeschlossen bei:

- Schäden aufgrund höherer Gewalt oder Umwelteinflüsse.
- Reparaturen, Bearbeitungen oder Veränderungen der Waffe durch Dritte.
- Verwendung von wiedergeladener oder nicht CIP-zugelassener Munition.
- Schäden als Folge normaler Abnutzung, bei Nichtbeachtung der Bedienungsanleitung oder unsachgemäßer Verwendung oder Handhabung und wenn die Waffe mechanische Beschädigungen, gleich welcher Art, aufweist.

Die Garantie besteht nicht für optische Zieleinrichtungen und Zielfernrohrmontagen anderer Hersteller als HMS GmbH. Weitergehende oder andere Ansprüche, insbesondere solche auf Ersatz außerhalb der Waffe entstandener Schäden (Folgeschäden), sind – soweit eine Haftung nicht zwingend gesetzlich angeordnet ist – ausgeschlossen.

In den in der Bedienungsanleitung enthaltenen Abbildungen können Teile dargestellt sein, die nicht zum Lieferumfang gehören.

Änderungen im Sinne der technischen Weiterentwicklung vorbehalten.

HMS Präzisionstechnik GmbH

Gewerbestraße 11
5301 Eugendorf / Österreich
HMS-Strasser.com



HMS Präzisionstechnik GmbH, Gewerbestraße 11, 5301 Eugendorf, Österreich | hms-strasser.com

Länderbezogene Abweichungen der Ausführungen möglich | Technische Änderungen, Satzfehler und Irrtümer vorbehalten | Abgabe von Strasser Jagd- und Sportwaffen nur an Inhaber einer Erwerbserlaubnis und nur über den qualifizierten Strasser Fachhandel